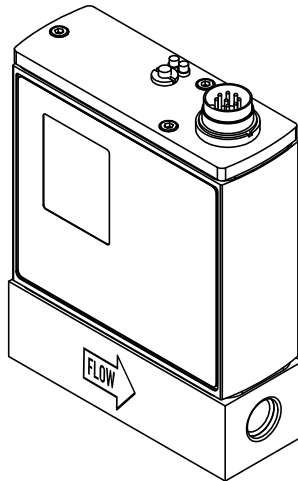


MASS-STREAM™ D-6400

Mass Flow Meter/Controller



Quick Start Guide

English

Doc. no.: 9.17.160 rev. C
Date: 16-02-2023



Bronkhorst®

Complete documentation

For a comprehensive instruction manual, hook-up diagrams and other documentation about the **MASS-STREAM™ D-6400**, visit the Bronkhorst® product pages:



👉 www.bronkhorst.com/downloads (or scan the QR code)

Intended use

The **MASS-STREAM™ D-6400** has been developed to measure and/or control mass flow rates of clean, dry, non-corrosive and non-toxic gases in a fluid system.

The product is suited for general purpose indoor (dry) applications, like laboratories and machine enclosures, as well as for sheltered outdoor applications, like installations in the plant constructions, under the following constraints:

Ambient temperature	: 0 ... 50 °C
Operating pressure	: 0 ... 10 bar (g) for aluminum instrument bodies, 0 ... 20 bar (g) for stainless steel instrument bodies (SS316)
Power supply	: +15 ... 24 Vdc ± 10 %

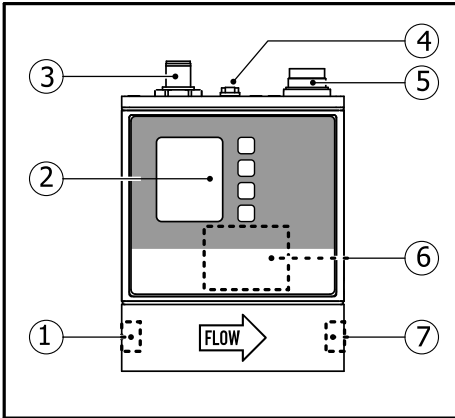
Responsibility for the use of the equipment regarding its intended use, suitability for the intended application, cleaning and compatibility of process media with the applied materials lies solely with the user.

Safety notes



- *The product(s) described in this document may only be handled by qualified personnel who are familiar with combined fluid and electrical systems and who recognize the associated hazards (e.g. (high) fluid pressure, electric shock).*
- *The user is responsible for taking the necessary safety measures to prevent damage and/or injury while working with the equipment and process media (as described in the associated Material Safety Data Sheets).*
- *The equipment and its accessories must be used in accordance with their intended use, specifications and operating instructions.*
- *Opening the equipment is not allowed and will void warranty and cancel the manufacturer's liability.*
- *If the product is defective or otherwise does not meet your requirements, please contact your Bronkhorst representative for assistance or advice.*

Product overview

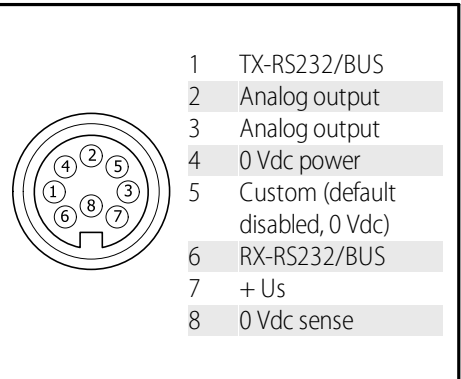
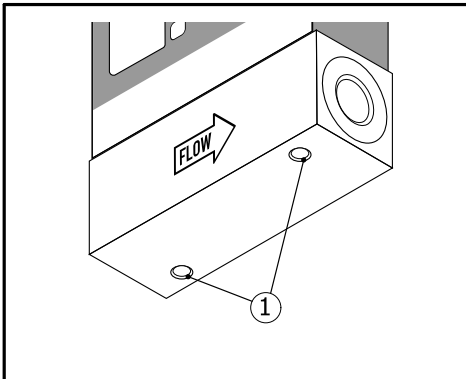


1. Fluid inlet
2. Display/buttons (optional)
3. Fieldbus connector(s) (optional)
4. Status LED and multifunctional switch
5. Power & signal connector (8DIN)
6. Serial number label
7. Fluid outlet

Installation



- Verify that the power supply has sufficient capacity to install the instrument into the network.
- Always turn off electrical power before connecting equipment electrically.



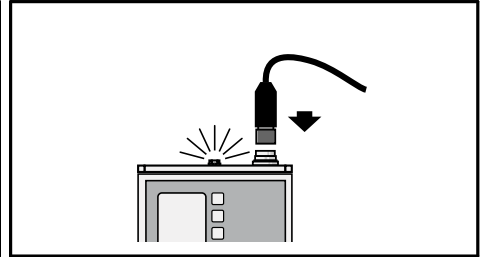
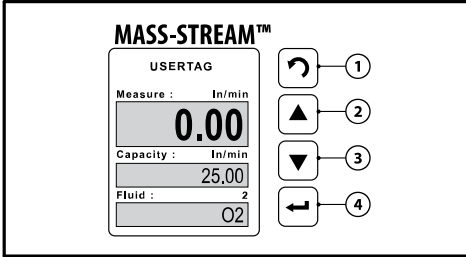
Mounting

If applicable: install the process connections according to the manufacturer's instructions. Use mounting holes to attach instrument to stable underground.

Electrical connection

8DIN male connector - pinning

Configuration



Display menu

If the instrument is equipped with a display:

- ▶ Set functions and parameters using the display menu and navigation buttons.

FlowSuite

After installing the FlowSuite software application, establish connection.

- ▶ Set functions and parameters using the installed software application.

The complete list of menu entries, and instructions how to changing the default password (recommended) is available for download (doc. Multi-Functional Display 9.17.164): see page 2.

Navigation

The buttons have the following functions:

Back Button [1]

- Return/ back
- Cycle through pre-settings in the lower data field

Up/Down button [2 +3]

- Navigating the menu items
- Selecting fields and characters

Enter button [4]

- Enter selected menu item
- Confirm selection/changes

Password protection

A password upon delivery protects the device from unauthorized operation. .

Factory default password is:

'abc' followed by 5 x Enter (blanks).

- ▶ Press the Enter button to activate the screen.

When prompted with the password dialog.

Select the correct character using the Up/Down buttons.

- ▶ Press the Enter button to confirm, and move to the next position.

- ▶ After entering the last character of the password: press the Enter button to confirm.

Install FlowSuite 2.0

To install the FlowSuite software application:

- ▶ Scan the QR code or browse to:

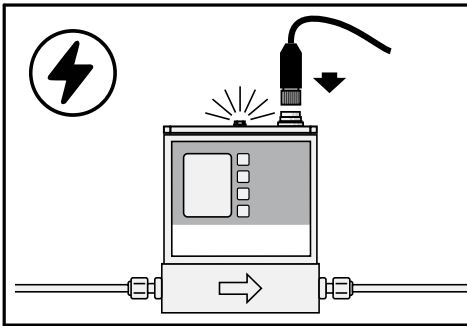
👉 <https://www.microsoft.com/store/productId/9PCDF686TK2W>



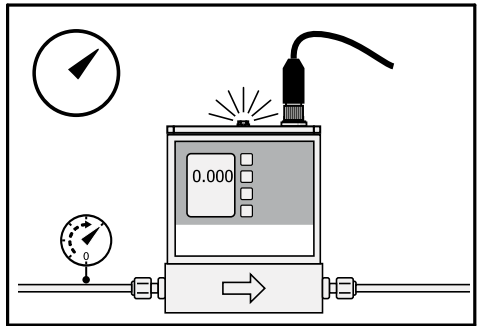
Powering up



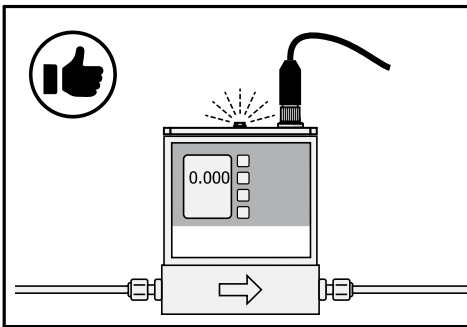
- Check leak tightness of fluid system before applying full operating pressure.
- For reliable operation, make sure fluid stream is uncontaminated.



1. Power up



2. Pressurize fluid system



3. Green indication LED: ready to use!

Customer Care

For current information about Bronkhorst® and worldwide service addresses, please visit our website.

For after-sales questions, help and guidance, our Customer Care department can be contacted by e-mail:

✉ aftersales@bronkhorst.com

No matter the time zone, our experts within the Customer Care department are available to answer your request immediately or take appropriate further action. Our experts can be reached at:

☎ +31 859 02 18 66

Service and returns

For current information about Bronkhorst®, worldwide service addresses and return information, visit the Service & Support section on our website:

👉 www.bronkhorst.com/service-support (or scan the QR code)



Disposal

If you are a customer within the European Union and wish to dispose of Bronkhorst® equipment bearing the symbol of a crossed out waste disposal bin, Bronkhorst can take care of proper dismantling, recycling and/or reuse. Just return the item(s) following the return instructions on our website; please mention in the covering letter that you are returning the product for disposal.



In countries outside the EU, disposal of electrical and electronic equipment (EEE) may be subject to local or national directives and/or legislation. If applicable, consult local or national authorities to learn how to handle EEE properly in your area.

Disclaimer

This document has been reviewed and is believed to be accurate. Bronkhorst Instruments GmbH does not assume liability for errors, inaccuracies or absence of information. The material in this document merely serves information and illustration purposes; no rights can be derived from its contents.

Bronkhorst Instruments GmbH reserves the right to modify or improve its products and documentation without prior notice. Device specifications and the contents of the package may deviate from what is stated in this document.

Copyright

© 2023 Bronkhorst Instruments GmbH - All rights reserved



Bronkhorst Instruments GmbH
Am Ziegelwerk 1
D-85391 Leonhardsbuch, Germany

+49 8166 9921 0
info.bhi@bronkhorst.com
www.bronkhorst.com

